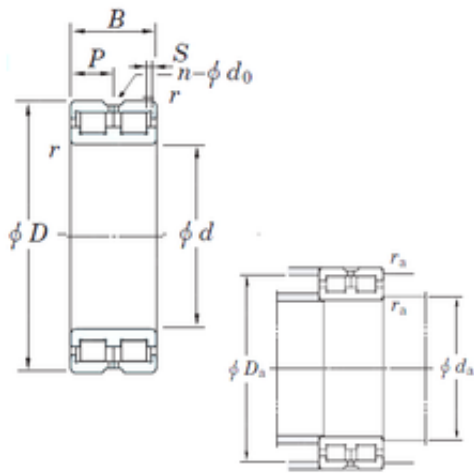




NTN BEARINGS INDUSTRY



DC4928VW KOYO Full complement cylindrical roller bearings

Bearing No. DC4928VW

DC4928VW Bearing 2D drawings and 3D CAD models

Size	140x190x50 mm
Bore Diameter	140 mm
Outer Diameter	190 mm
Width	50 mm
d	140 mm
D	190 mm
B	50 mm
C	50 mm
n	4 mm
p	25 mm
r min.	1,5 mm
S	4 mm
da min.	148,5 mm
Da max.	181,5 mm
ra max.	1,5 mm
Weight	4,2 Kg
Basic dynamic load rating (C)	284 kN
Bearing No.	DC4928VW
r(min)	1.5
Cr	284
C0r	589
S	4 mm
P	25
n(qty)	4
do	3



NTN BEARINGS INDUSTRY

da(min)	148.5
Da(max)	181.5
ra(max)	1.5
(Refer.)Mass(Fixed side)(kg)	4.10