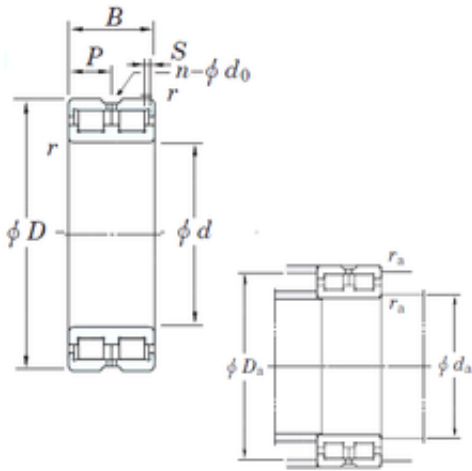




NTN BEARINGS INDUSTRY



DC4932VW KOYO Full complement cylindrical roller bearings

Bearing No. DC4932VW

Size	160x220x60 mm
Bore Diameter	160 mm
Outer Diameter	220 mm
Width	60 mm
d	160 mm
D	220 mm
B	60 mm
C	60 mm
n	6 mm
p	30 mm
r min.	2 mm
S	4 mm
da min.	170 mm
Da max.	210 mm
ra max.	2 mm
Weight	7 Kg
Basic dynamic load rating (C)	428 kN
Bearing No.	DC4932VW
r(min)	2
Cr	428
C0r	895
S	4 mm
P	30
n(qty)	6
do	4

DC4932VW Bearing 2D drawings and 3D CAD models



NTN BEARINGS INDUSTRY

da(min)	170
Da(max)	210
ra(max)	2
(Refer.)Mass(Fixed side)(kg)	6.80