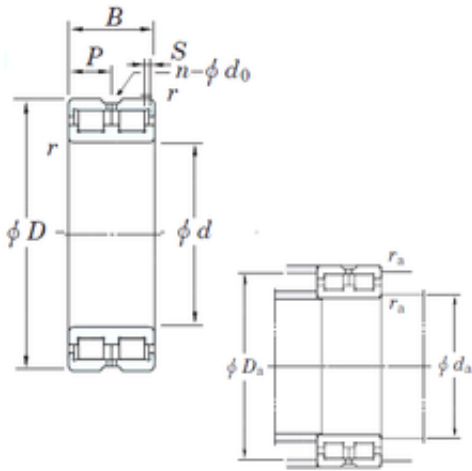




NTN BEARINGS INDUSTRY



DC4836VW KOYO Full complement cylindrical roller bearings

Bearing No. DC4836VW

DC4836VW Bearing 2D drawings and 3D CAD models

Size	180x225x45 mm
Bore Diameter	180 mm
Outer Diameter	225 mm
Width	45 mm
d	180 mm
D	225 mm
B	45 mm
C	45 mm
n	4 mm
p	22,5 mm
r min.	1,1 mm
S	3 mm
da min.	187 mm
Da max.	218 mm
ra max.	1 mm
Weight	4,3 Kg
Basic dynamic load rating (C)	276 kN
Bearing No.	DC4836VW
r(min)	1.1
Cr	276
C0r	690
S	3 mm
P	22.5
n(qty)	4
do	4



NTN BEARINGS INDUSTRY

da(min)	187
Da(max)	218
ra(max)	1
(Refer.)Mass(Fixed side)(kg)	4.15