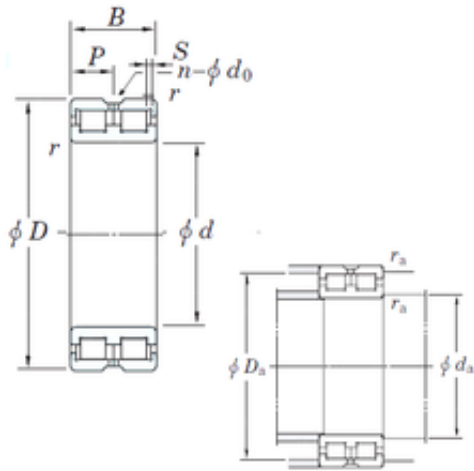




NTN BEARINGS INDUSTRY



DC4852VW KOYO Full complement cylindrical roller bearings

Bearing No. DC4852VW

DC4852VW Bearing 2D drawings and 3D CAD models

Size	260x320x60 mm
Bore Diameter	260 mm
Outer Diameter	320 mm
Width	60 mm
d	260 mm
D	320 mm
B	60 mm
C	60 mm
n	6 mm
p	30 mm
r min.	2 mm
S	4 mm
da min.	270 mm
Da max.	310 mm
ra max.	2 mm
Weight	11 Kg
Basic dynamic load rating (C)	532 kN
Bearing No.	DC4852VW
r(min)	2
Cr	532
C0r	1450
S	4 mm
P	30
n(qty)	6
do	5



NTN BEARINGS INDUSTRY

da(min)	270
Da(max)	310
ra(max)	2
(Refer.)Mass(Fixed side)(kg)	10.6