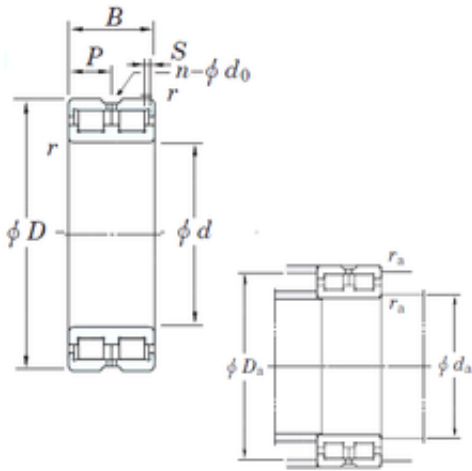




NTN BEARINGS INDUSTRY



DC4968VW KOYO Full complement cylindrical roller bearings

Bearing No. DC4968VW

DC4968VW Bearing 2D drawings and 3D CAD models

Size	340x460x118 mm
Bore Diameter	340 mm
Outer Diameter	460 mm
Width	118 mm
d	340 mm
D	460 mm
B	118 mm
C	118 mm
n	8 mm
p	59 mm
r min.	3 mm
S	6 mm
da min.	354 mm
Da max.	446 mm
ra max.	2,5 mm
Weight	59 Kg
Basic dynamic load rating (C)	1 660 kN
Bearing No.	DC4968VW
r(min)	3
Cr	1660
C0r	4150
S	6 mm
P	59
n(qty)	8
do	8



NTN BEARINGS INDUSTRY

da(min)	354
Da(max)	446
ra(max)	2.5
(Refer.)Mass(Fixed side)(kg)	57.8