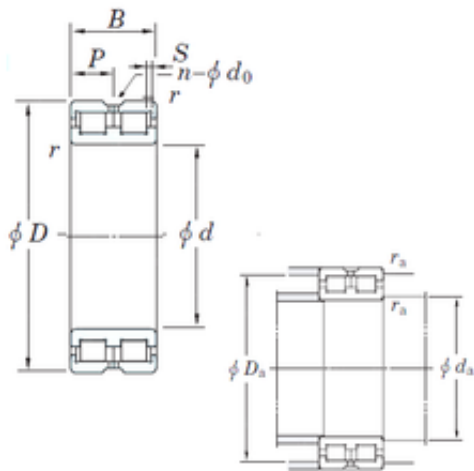




NTN BEARINGS INDUSTRY



DC4972VW KOYO Full complement cylindrical roller bearings

Bearing No. DC4972VW

| | |
|-------------------------------|----------------|
| Size | 360x480x118 mm |
| Bore Diameter | 360 mm |
| Outer Diameter | 480 mm |
| Width | 118 mm |
| d | 360 mm |
| D | 480 mm |
| B | 118 mm |
| C | 118 mm |
| n | 8 mm |
| p | 59 mm |
| r min. | 3 mm |
| S | 6 mm |
| da min. | 374 mm |
| Da max. | 466 mm |
| ra max. | 2,5 mm |
| Weight | 62 Kg |
| Basic dynamic load rating (C) | 1 700 kN |
| Bearing No. | DC4972VW |
| r(min) | 3 |
| Cr | 1700 |
| C0r | 4390 |
| S | 6 mm |
| P | 59 |
| n(qty) | 8 |
| do | 8 |

DC4972VW Bearing 2D drawings and 3D CAD models



NTN BEARINGS INDUSTRY

| | |
|------------------------------|------|
| da(min) | 374 |
| Da(max) | 466 |
| ra(max) | 2.5 |
| (Refer.)Mass(Fixed side)(kg) | 60.8 |